



BS EN 1992-1-1

DECLARATION OF PERFORMANCE

Sealwall

Identification No. WSW

1. Product Type

Unique identification code of the product type: **Sealwall Water Retaining Walls**

2. Type,

batch or serial number or any other element allowing identification of the construction product as required under article 11(4): **3300, 3800, 4300,**

3. Intended Use

or uses of the construction product, in accordance with the applicable harmonized technical specification, as foreseen by the manufacturer: **Retaining elements according to BS EN 1992 & 206**

4. Name, registered trade name

or registered trade mark and contact address of the manufacturer as required in Article 11(5): **Naylor Concrete Products
Whaley Road
Barnsley
S75 1HT**

5. Contact Address:

Where applicable, name and contact address of the authorized representative whose mandate covers the tasks specified in Article 12(2): **(see 4)**

6. AVCP:

System or systems of assessment and verification of constancy of performance of the construction products as seen out in CPR, Annex V: **System 2+**

7. Notified body (hEN):

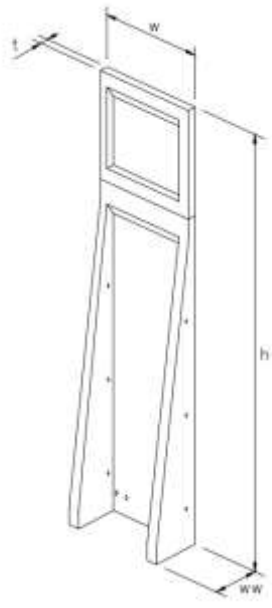
In case of the declaration of performance (DoP) concerning a construction product covered by a harmonised standard: **BS EN 1992-1-1 & 206-1
BSi (0086) performed the initial inspection of the manufacturing plant and of factory production control and the continuous surveillance, assessment and evaluation of factory production control, and issued the certificate of constancy of conformity of the factory production control.**

NAYLOR
CONCRETE

Made in the UK

Excellent Construction Products

Declaration of Performance

8. Declared Performance		
Concrete: Compressive Strength..... f_{ck} =	50 N/mm²	BS EN 1992
Reinforced Steel: Ultimate tensile strength..... f_{pk} =	540 N/mm²	
Tensile yield strength..... f_{yk} =	500 N/mm²	
Measurements in mm		
Unit height h = 3300 / 3800 / 4300		
Unit width w = 1050		
Unit thickness t = 150		
Wing width ww = 600		

9. The Performance of the product identified in points 1 and 2 is in conformity with the declared performance in point 8.

This declaration of performance is issued under the sole responsibility of the manufacturer identified in point 4.

Signed for and on behalf of Naylor Concrete Products by:



Helen MacIntosh, Divisional Director
Barugh Green, Barnsley
7th of February 2017



Naylor Concrete
Products
Whaley Road

Phone: 01226320812
Fax: 01226320811