

# NAYLOR

Made in the UK

Excellent Construction Products

# NaylorCOOL

## Crop conditioning with pedestals

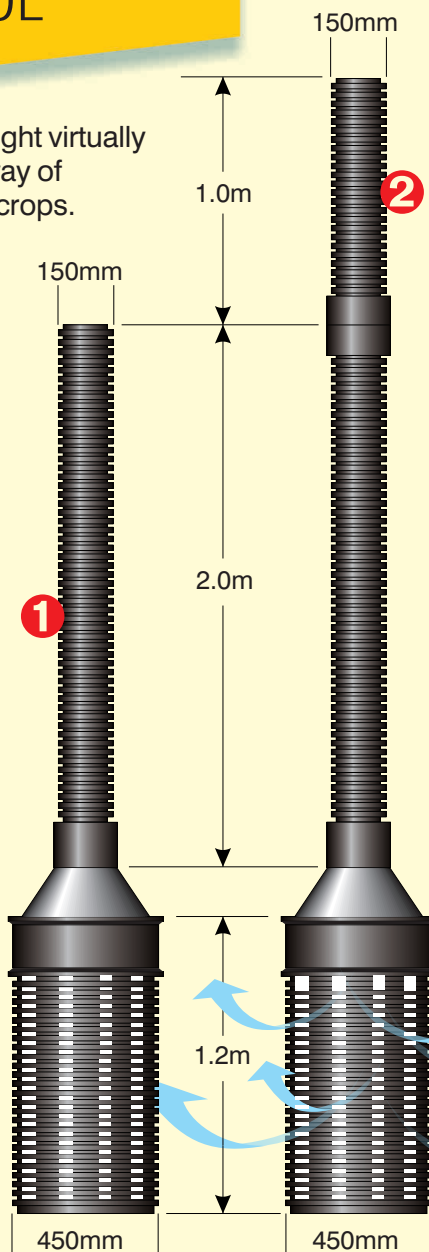
### NaylorCOOL

**NaylorCOOL** is a modern lightweight virtually indestructible and cost effective way of conditioning your on-floor stored crops. Manufactured from high density polyethylene, this high strength twin-wall system has slots that allow up to 1,000 CFM airflow, eliminating moulds and insects from your crops.

The twin wall construction allows the 450mm dia base unit to stand firm, supporting up to 3m extensions. Reversible fans easily fitted to the top of the extension pipes. The tough lightweight material allows the units to be easily moved, reducing emptying times whilst minimising damage from machines.

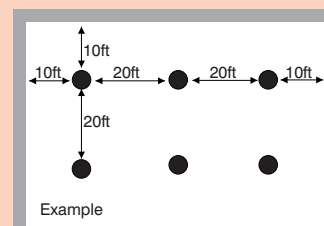
**NaylorCOOL option 1**  
450mm diameter x 1.2m lower section c/w 1 x 2m extension pipe (approx height 11½ft)

**NaylorCOOL option 2**  
450mm diameter x 1.2m lower section c/w 1 x 2m extension pipe, and 1 x 1m extension pipe (approx height 14½ft)



### Layout

For crop height of 10ft, place the first unit 10ft away from walls, then any other fans 20ft apart.



### Optional Extras

**Base Plate/Foot:** 600x600mm for improved stability.  
**Crop Sock:** Geotextile sock for perforated base unit to stop ingress of crop, ideal for use with oilseed rape.

### Fans

It is advised that you have 1 fan per 3 NaylorCOOL units. Rotate the fans every 7-10 days.

### NaylorCOOL Fans

Available in single and three phase to fit 150mm dia extension ducts.

For more info and the best prices on the **NaylorCOOL system**, please contact our sales office on **01226 790591**

Email: [sales@naylor.co.uk](mailto:sales@naylor.co.uk) Web: [www.naylor.co.uk](http://www.naylor.co.uk)

follow us on  
**facebook**

# NAYLOR

Made in the UK

Excellent Construction Products

NAYLOR DRAINAGE  
LIMITED

CLOUGH GREEN  
CAWTHORNE  
BARNSELY  
S. YORKSHIRE S75 4AD

TELEPHONE: 01226 790591  
FACSIMILE: 01226 790531  
EMAIL: SALES@NAYLOR.CO.UK  
WEB: WWW.NAYLOR.CO.UK