

Naylor PoleBox

Metro Pole Box System

Features and benefits

- **Protects cables**
- **Easy access**
- **Moulded Clamp holds pole securely**
- **Suitable for 63mm - 120mm OD duct**

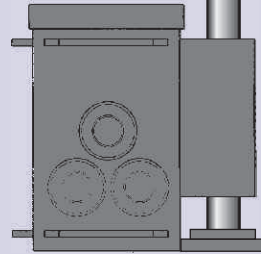
The pole box shall be of one-piece, structured wall design and rotationally moulded in high density polyethylene. The pole box shall be either 450 x 450mm or 295 x 275 x 500mm in size with an integral housing for 115 mm pole. Each point of entry shall have 63 to 120 mm pre-trepanned cut-outs. The depth of the box is 500 mm.



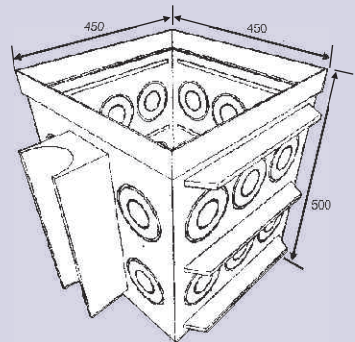
Installation

- Stand on a well compacted bedding or concrete slab.
- Drainage runs situated within the slab are required to allow excess water to drain away from the constructed chamber.
- 115mm Traffic Pole is located within the pre-formed Polyethylene clamp which is located on the Pole Box.
- A minimum of 150mm concrete surround is required to support the chamber when the chamber is fully connected to the traffic pole.
- Ensure concrete fill is evenly distributed around the Pole Box and level with the top surface. Concrete the frame in at the appropriate level.

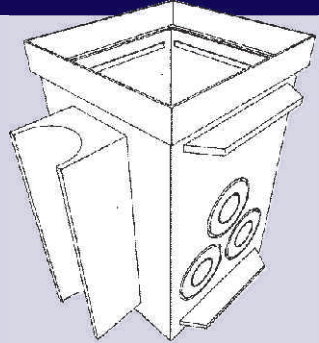
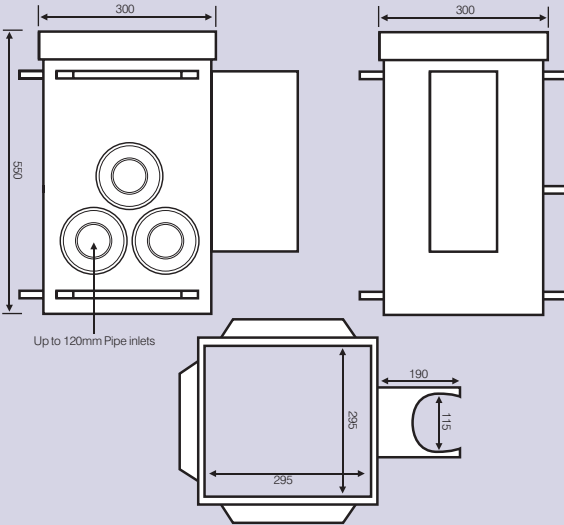
**Pole
Box**



Example shown: 295 x 275 x 500mm



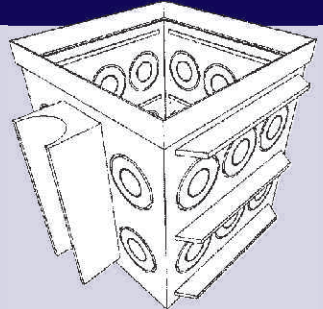
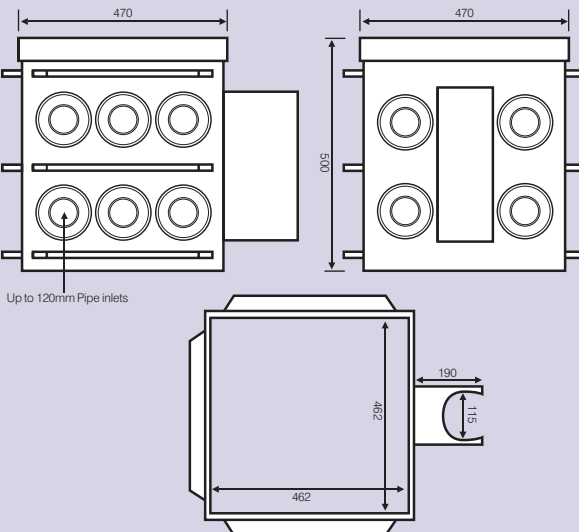
Pole Box - Square



Product Reference **PAC POLE 6**
Code **69024**

Nominal dimensions (mm)
W275 L295 D500

Pole Box - Square



Product Reference **PAC POLE 1**
Code **69025**

Nominal dimensions (mm)
W450 L450 D500