

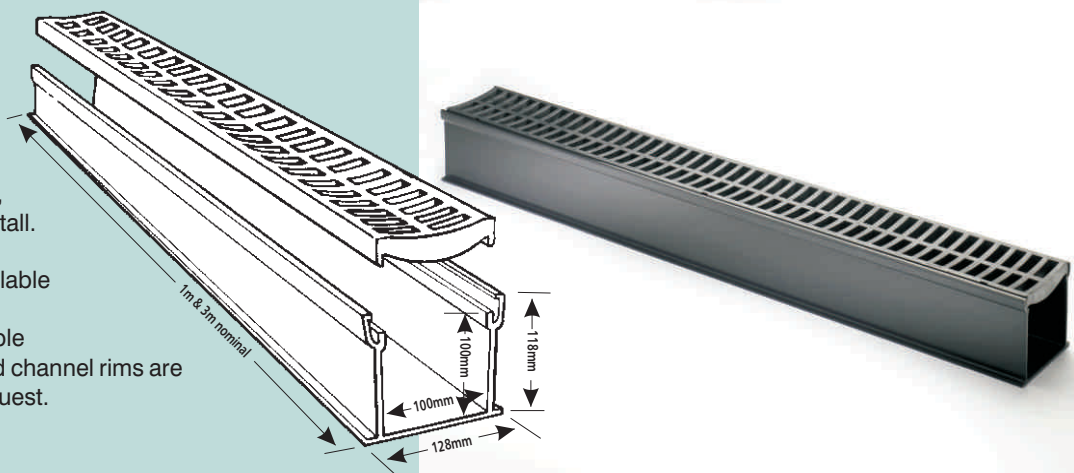
# TYPICAL APPLICATIONS

Include: driveways, patios, pathways, around swimming pools, sports courts, gardens, along retaining walls and any area where surface water collection is necessary.

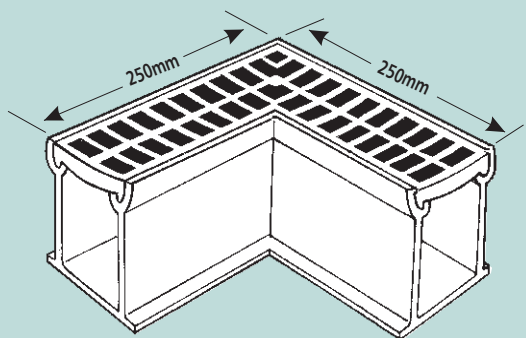
## Grate and Channel

3m & 1m lengths, 3m lengths mean less work, less joints, less cost. Easy to install.

Black grates are available as standard. Other colours available on request. Coloured channel rims are also available on request.



## 90° Angle



This fabricated 90° angle reduces the need for mitring.



## Joiner



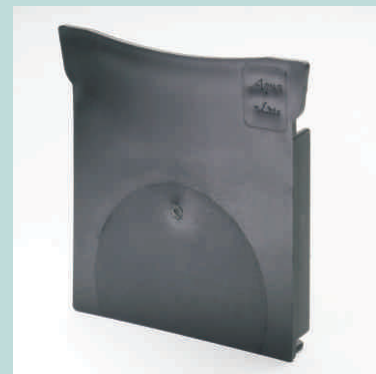
Allows the Channel to be easily jointed no matter the length or system components.

## End Cap / Outlet



Finish off end of drain or connect to 100mm bore outlet pipe. The End Cap/Outlet also incorporates a rubber connector.

## End Cap

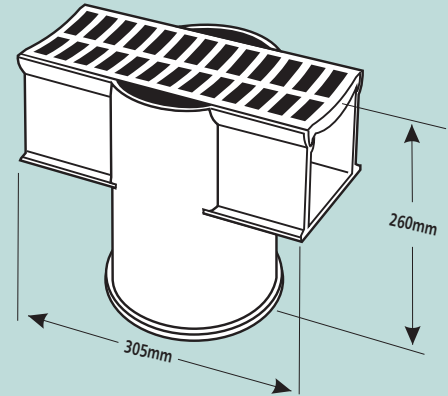


Finish off end of drain.

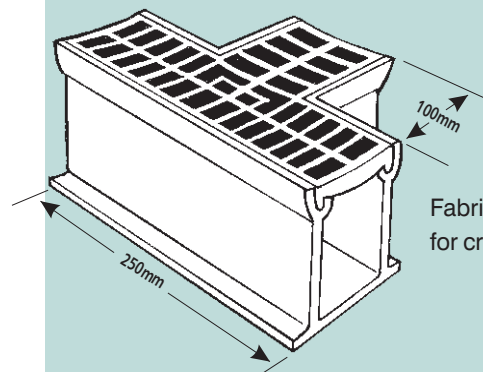
## Universal Channel Pit / Silt Trap



Fabricated Universal Silt Trap -  
jointing clips available. Joins directly  
to channel. Removable silt bucket.

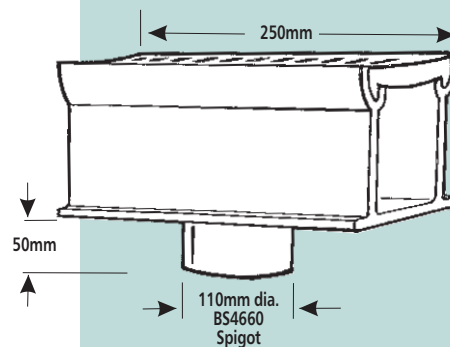


## T Piece



Fabricated T Piece  
for creating junctions.

## Running Outlet



Channel with 110mm  
diameter  
spigot downpipe.